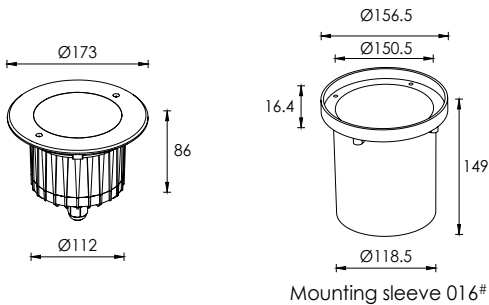


Inground Light Symmetrical LED Up Light TRUAX



Hard chromeplated Stainless steel SUS 316L
12# Die-casting grey powder coated aluminum.
T=60-80µm Adhesion of ISO class 1/ASTM class 4B



334 146

LED Power

24V - 13,5W
120/240V - 11,8W

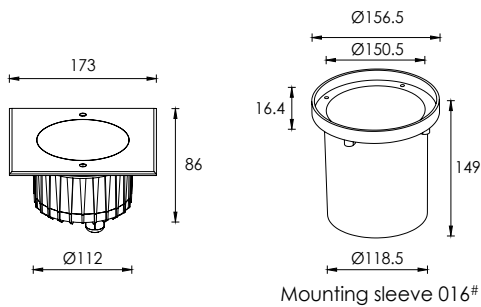
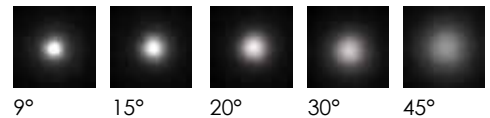
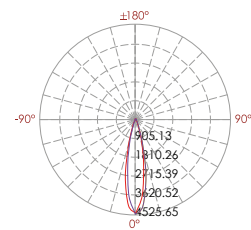
Colour Temp

2000K
3000K
6000K

Luminous

956 lm
783 lm

LIGHT DISTRIBUTION



334 147

LED Power

24V - 13,5W
120/240V - 11,8W

Colour Temp

2000K
3000K
6000K

Luminous

956 lm
783 lm

LIGHT DISTRIBUTION

